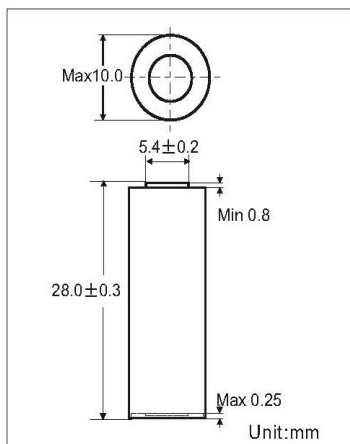


ALKALINE BUTTON CELL

23A

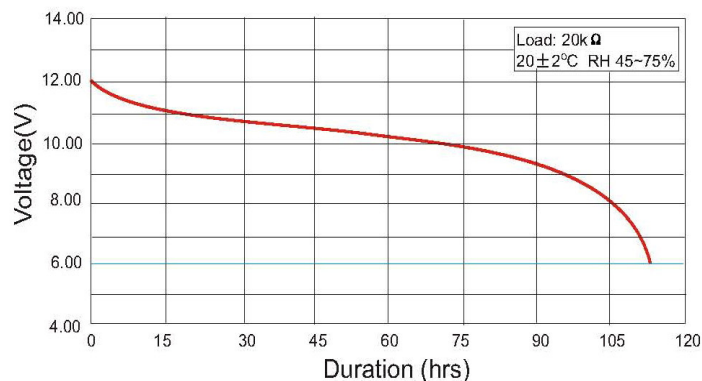


Chemical System : Primary Alkaline
Camelion No. : 23A
Average Weight : 7.9g
Dimension (∅ x H) : 10.0 x 28.3 mm
Terminals : Flat
Nominal Voltage : 12.0Volts
Nominal Service Capacity: 55mAh
 (20±2°C , Rated at 20kΩ load to 6.0V)
Jacket : Metal Label
 Operating Temperature: -20°C~54°C
Cross Reference: EL12(Japan), VR22(Ranson)

Discharge Characteristic

Load Resistance	Cut Off Voltage	Discharge Pattern	Duration
20.0k Ω	6.00V	24hrs/day	108hrs

Discharge Curve



Notice:

Environmental elements comply with ROHS requirements. This information is subject to change without prior notice and for reference only. It should not be used as a product guarantee or warranty. For additional information, please contact with Vapex Technology Limited.